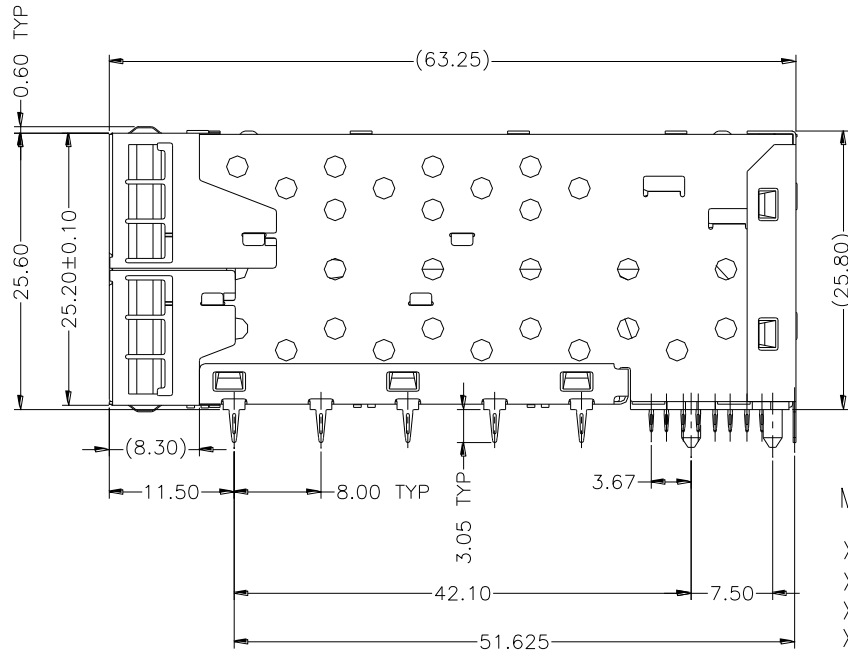
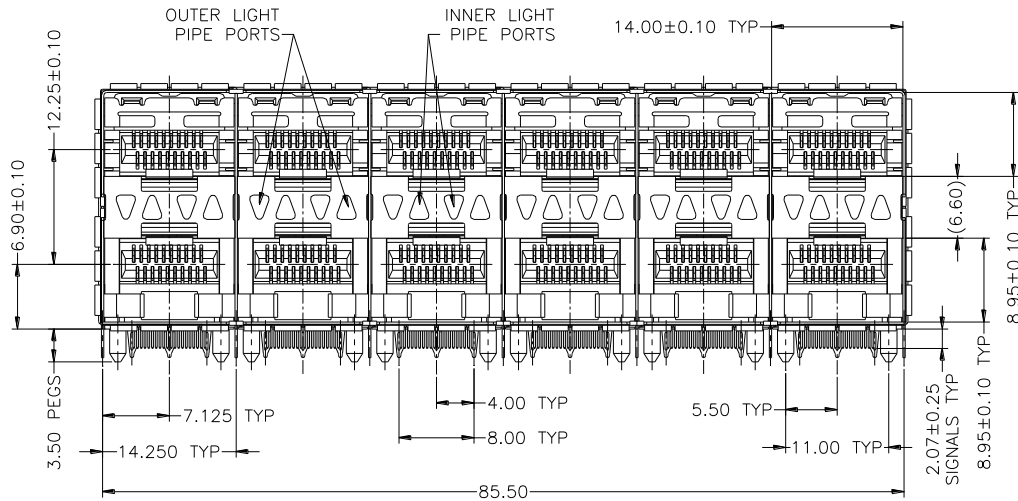


# Mechanical Dimensions

REV.	DESCRIPTION	DATE	DWN	AP'PD



MILLIMETRE

X.XXX ±0.10  
 X.XX ±0.20  
 X.X ±0.30  
 X

## NOTES:

### MECHANICAL:

- CAGES: NICKEL SILVER ALLOY, THICKNESS 0.25MM.
- CONNECTOR HOUSING: GLASS FILLED PLASTIC, 94 V-0, COLOR: BLACK.
- OVERMOLDED TERMINAL HOUSING: GLASS FILLED PLASTIC, 94 V-0, COLOR: BLACK.
- LIGHTPIPES: POLYCARBONITE, 94 V-0, COLOR: CLEAR.
- LIGHTPIPE HOLDER: GLASS FILLED PLASTIC, 94 V-0, COLOR: BLACK.
- CLIP: STAINLESS STEEL.
- EMI SPRING: COPPER ALLOY.
- TERMINAL: POSPHRR BRONZE.
- GOLD PLATING FOR CONTACT AREA, THICKNESS SEE OPTION.
- TIN PLATING FOR PRESS FIT AREA.
- NICKEL PLATING AS UNDERLAYER FOR WHOLE TERMINAL.

### ELECTRICAL:

- VOLTAGE: 30 VOLTS AC.
- CURRENT: 0.50 A PER CONTACT.
- CONTACT RESISTANCE: 50 MILLIOHMS MAX;
- INSULATION RESISTANCE: 1000 MEGAOHMS MIN  
 AT 100 VDC FOR 1 MINUTE.
- DIELECTRIC WITHSTANDING VOLTAGE: 300 VDC MIN;
- TEMPERATURE:  
 OPERATION: -40°C~+85°C  
 STORAGE: -55°C~+105°C
- LIGHTPIPE PAD LAYOUT IS FOR LOW-PROFILE LED PACKAGE. LED SIZE(LxWxH): 2x1x0.4MM MAX.
- RoHS COMPLIANCE.



元册科技股份有限公司

YUAN DEAN SCIENTIFIC CO., LTD.

TITLE

**2X6 SFP+ CAGE AND CONNECTOR  
 W/LIGHT PIPE OPTION**

P/N

**YDS-SFP26PAXFTG**

REV.

**1.0**

PAGE NO

**1-4**

DATE

**2015-4-2**

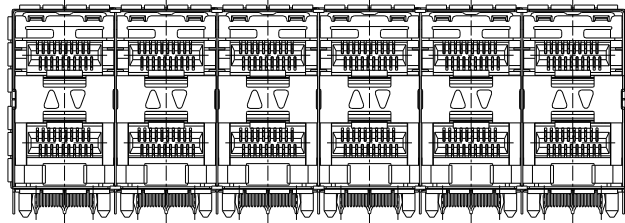
AP'PD

**Hsu**

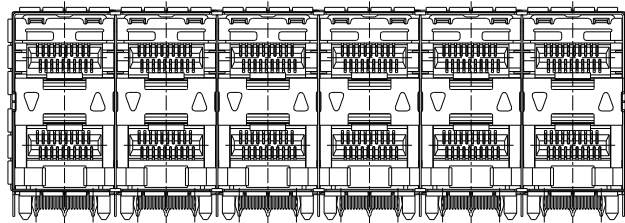
DWN

Chen Chuan Yu

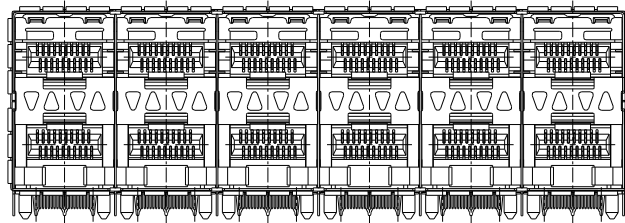
REV.	DESCRIPTION	DATE	DWN	AP'PD



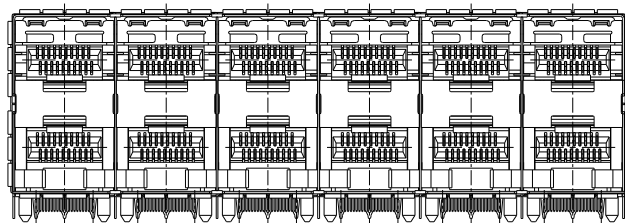
YDS-SFP26PA1FTG WITH INNER LIGHTPIPES



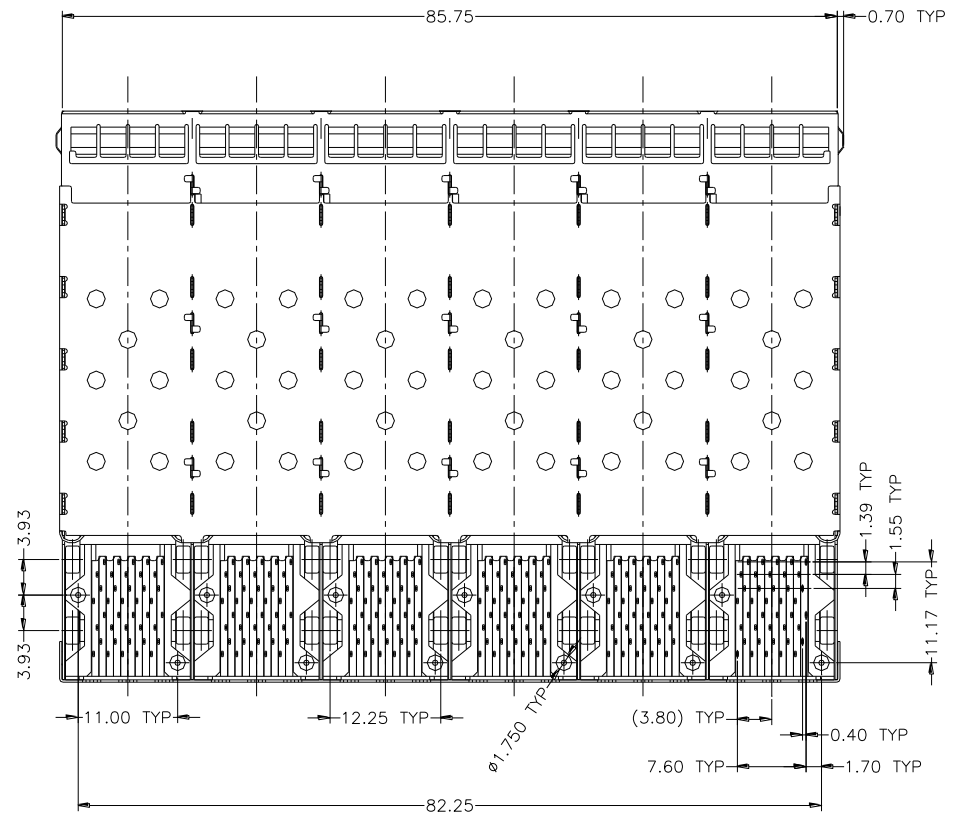
YDS-SFP26PA2FTG WITH OUTER LIGHTPIPES



YDS-SFP26PA3FTG WITH INNER/OUTER LIGHTPIPES



YDS-SFP26PA0FTG WITHOUT LIGHTPIPES



元册科技股份有限公司

YUAN DEAN SCIENTIFIC CO., LTD.

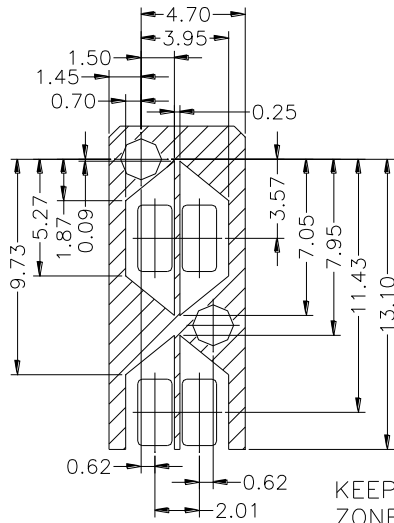
**TITLE** 2X6 SFP+ CAGE AND CONNECTOR  
W/LIGHT PIPE OPTION

<b>P/N</b>	YDS-SFP26PAXFTG	<b>REV.</b>	1.0
------------	-----------------	-------------	-----

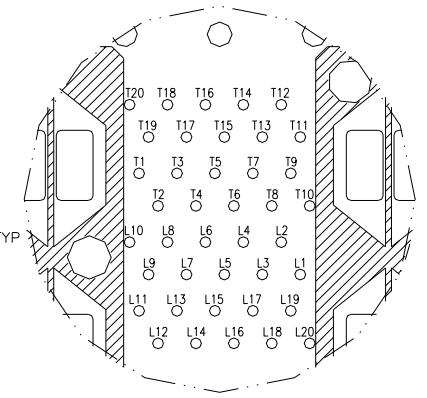
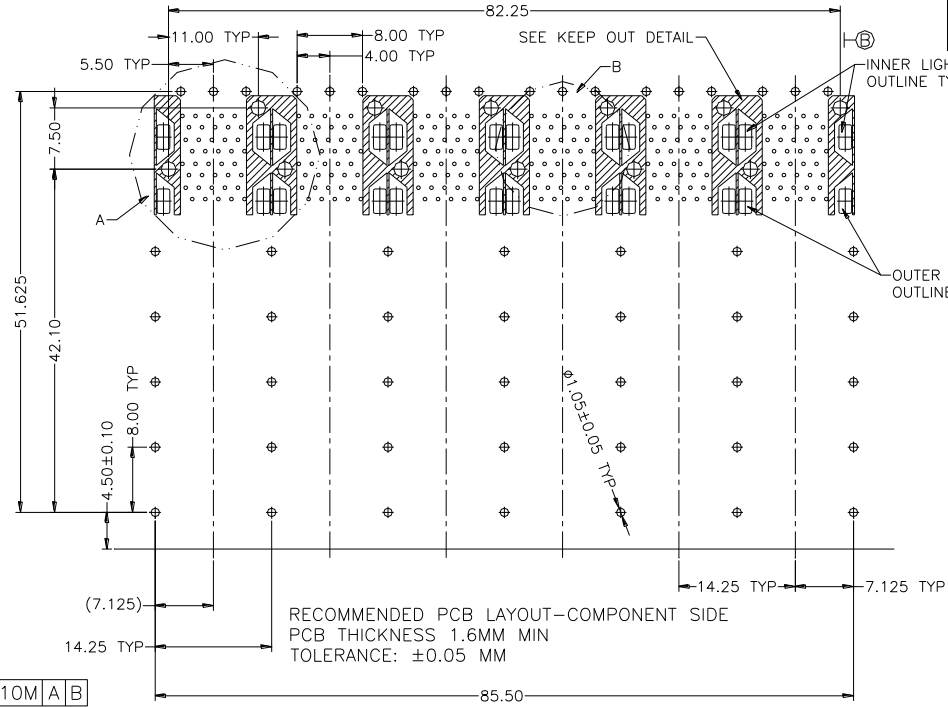
<b>PAGE NO</b>	2-4	<b>DATE</b>	2015-4-2
----------------	-----	-------------	----------

<b>AP'PD</b>	Hsu	<b>DWN</b>	Chen Chuan Yu
--------------	-----	------------	---------------

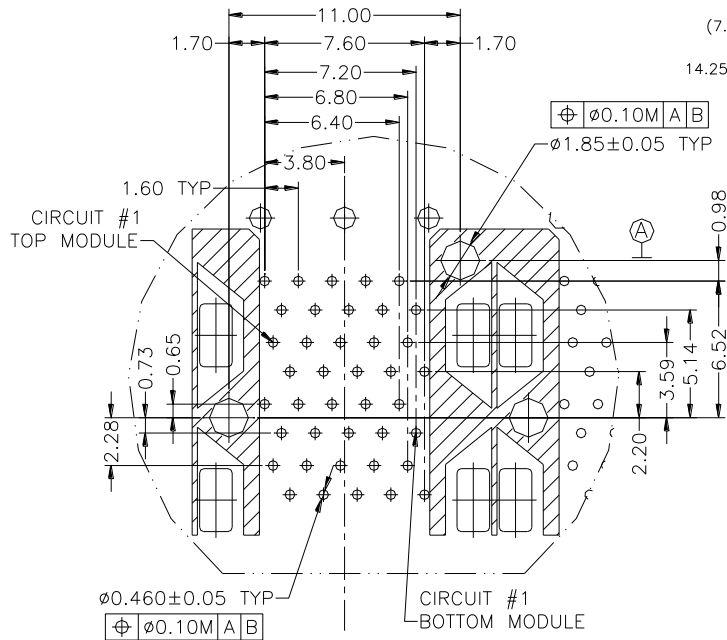
REV.	DESCRIPTION	DATE	DWN	AP'PD



KEEP OUT ZONE DETAIL  
SCALE: 2:1



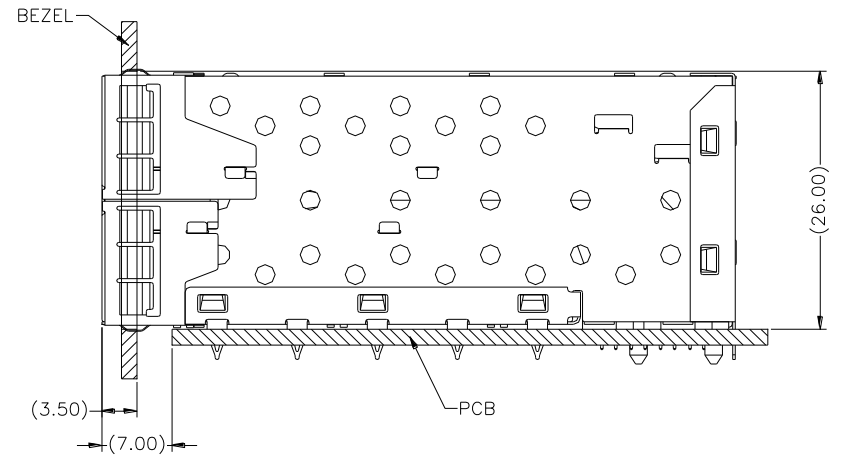
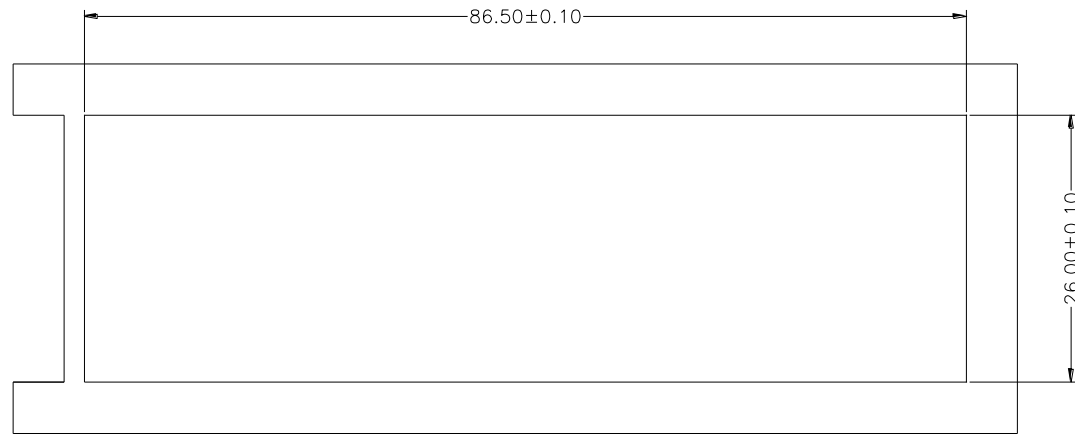
CONNECTOR PIN-OUT DETAIL  
COMPONENT SIDE OF BOARD  
DETAIL B  
SCALE: 2:1



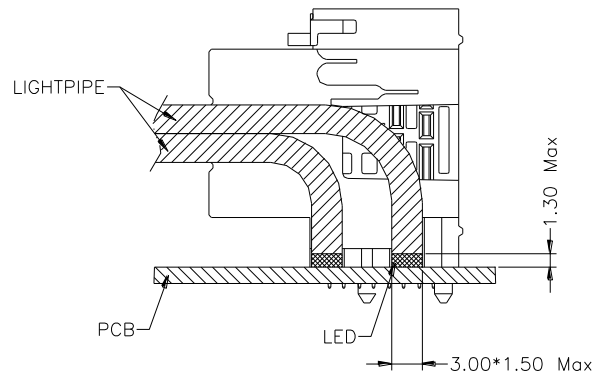
DETAIL A  
SCALE: 2:1

	 <b>元册科技股份有限公司</b> YUAN DEAN SCIENTIFIC CO., LTD.			
	<b>TITLE</b>			
	<b>2X6 SFP+ CAGE AND CONNECTOR W/LIGHT PIPE OPTION</b>			
	<b>P/N</b>	<b>YDS-SFP26PAXFTG</b>	<b>REV.</b>	<b>1.0</b>
	<b>PAGE NO</b>	<b>3-4</b>	<b>DATE</b>	<b>2015-4-2</b>
<b>AP'PD</b>	<b>Hsu</b>	<b>DWN</b>	Chen Chuan Yu	

REV.	DESCRIPTION	DATE	DWN	AP'PD



RECOMMENDED BEZEL CUT-OUT CENTER DETAIL  
BEZEL THICKNESS 0.8~2.6MM



RECOMMENDED LED DIMENSION

	<b>元册科技股份有限公司</b> YUAN DEAN SCIENTIFIC CO., LTD.			
	<b>TITLE</b>		<b>2X6 SFP+ CAGE AND CONNECTOR W/LIGHT PIPE OPTION</b>	
	<b>P/N</b>	<b>YDS-SFP26PAXFTG</b>	<b>REV.</b>	<b>1.0</b>
	<b>PAGE NO</b>	<b>4-4</b>	<b>DATE</b>	<b>2015-4-2</b>
	<b>AP'PD</b>	<b>Hsu</b>	<b>DWN</b>	Chen Chuan Yu