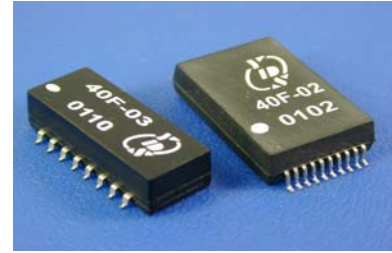


FEATURES

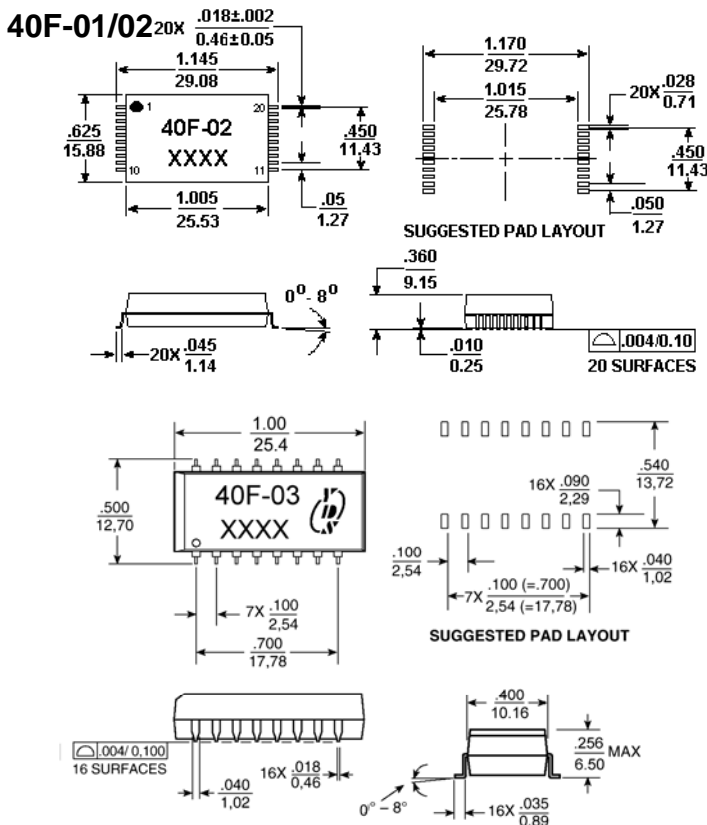
- Designed to work with Conexant HPNA 2.0 Applications.
- Robust construction allows for IR/VP processes.
- 1500 Vrms Isolation.
- Designed to withstand 235°C peak infrared reflow temperature



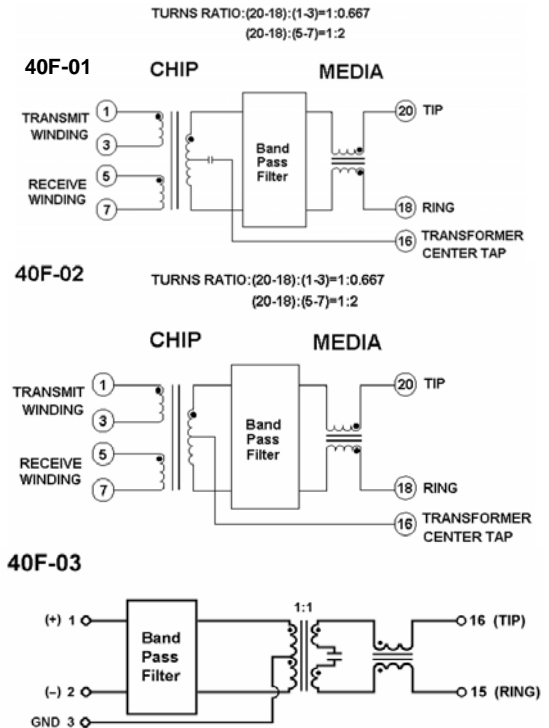
ELECTRICAL SPECIFICATIONS @25°C-Operating temperature 0°C TO 70°C

Part Number	Cut-off Frequency (MHz)		Insertion Loss (dB Max)	Return Loss 5 to 10 MHz (dB min)	Attenuation (dB min)				CMRR (dB Min)
	Lower Band	Upper Band			1.1 MHz	22 MHz	54 MHz	100 MHz	
40F-01	3.5	11.5	-2.2	-12	-60	-40	-50	-30	-50
40F-02	3.5	11.5	-2.0	-12	-60	-35	-50	-50	-40
40F-03	3.5	11.5	-2.2	-9	-60	-35	-55	-50	-50

MARKINGS AND DIMENSION



SCHEMATIC



Part Number:

40F - 01 NL
 A B C
 A:Series
 B:Sequence Id
 C:RoHS Version

Dimensions:inches/mm

Unless otherwise specified, all tolerances are ±.010/±0.25