



### FEATURES

- RJ45 1xN, Tab-DOWN&UP 8-pin with internal magnetics
- Options: 1x2, 1x4, 1x5 for 10/100/1000 Base-TX
- Available with and without LEDs
- Suitable for CAT 5 and 6 Fast Ethernet cable or better UTP
- Internal magnetics are 100% electrically tested for HI-POT and functionality
- 350uH minimum OCL with 8mA bias current
- Minimum 1500Vrms isolation per IEEE 802.3 requirement
- Recognized by UL 60950-1



### ELECTRICAL SPECIFICATIONS @25°C-Operating temperature 0°C TO 70°C

| Part Number  | Turns Ratio ±5% |         | TAB Option | LEDs | Insertion Loss (dB TYP) | Return Loss (dB TYP@100Ω±15Ω) |             |           |        | Crosstalk (dB TYP) |          |           | Common Mode Rejection (dB TYP) |          | Hipot (V <sub>rms</sub> ) |
|--------------|-----------------|---------|------------|------|-------------------------|-------------------------------|-------------|-----------|--------|--------------------|----------|-----------|--------------------------------|----------|---------------------------|
|              | TX              | RX      |            |      |                         | L/R                           | 0.3-100 MHz | 1- 10 MHz | 30 MHz | 60-80 MHz          | 1-10 MHz | 30-60 MHz | 60-100 MHz                     | 1-50 MHz |                           |
| 64F-1201ND2  | 1CT:1CT         | 1CT:1CT | DOWN       | -    | -1.2                    | -18                           | -16         | -12       | -40    | -35                | -30      | -30       | -20                            | 1500     |                           |
| 64F-1202ND2  | 1CT:1CT         | 1CT:1CT | DOWN       | -    | -1.2                    | -18                           | -16         | -12       | -30    | -30                | -30      | -30       | -20                            | 1500     |                           |
| 64F-1203ND2  | 1CT:1CT         | 1CT:1CT | DOWN       | -    | -1.2                    | -18                           | -16         | -12       | -40    | -35                | -30      | -30       | -20                            | 1500     |                           |
| 62F-1204GYD2 | 1CT:1CT         | 1CT:1CT | DOWN       | G/Y  | -1.2                    | -18                           | -16         | -12       | -40    | -35                | -30      | -30       | -20                            | 1500     |                           |
| 64F-1204GYD2 | 1CT:1CT         | 1CT:1CT | DOWN       | G/Y  | -1.2                    | -18                           | -16         | -12       | -40    | -35                | -30      | -30       | -20                            | 1500     |                           |
| 62F-1204ND2  | 1CT:1CT         | 1CT:1CT | DOWN       | -    | -1.2                    | -18                           | -16         | -12       | -40    | -35                | -30      | -30       | -20                            | 1500     |                           |
| 64F-1204ND2  | 1CT:1CT         | 1CT:1CT | DOWN       | -    | -1.2                    | -18                           | -16         | -12       | -40    | -35                | -30      | -30       | -20                            | 1500     |                           |
| 65F-1301ND2  | 1CT:1CT         | 1CT:1CT | UP         | -    | -1.2                    | -18                           | -16         | -12       | -40    | -35                | -30      | -30       | -20                            | 1500     |                           |

### Part Number:

**64F- 1204 GYD NW 2 NL**  
 A B C D E F

- A:Series
- B:Schematics
- C:Led
- D:Mechanical
- E:Gold Plating:1=3u",2=6u",3=15u",4=30u"5=50u"
- F:RoHS Version

### Mechanicals

**Housing Material:**  
 MATERIAL:NYLON GF (Fr50) UL94V-0 STANDARD COLOR: BLACK

**Insert Material:**  
 MATERIAL:Phos-Bronze C5210 EH---0.35mm Thickness  
 Insert -PBT GF UL94V-0

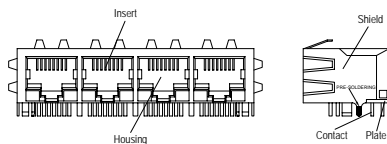
- 1.PLATING(1) NICKEL
- 2.PLATING(2) 100%Sn
- 3.PLATING(3) GOLD (3u " ~ 50u " )

**Plate Material:**  
 PBT GF UL 94V-0

**Contact pin Material:**  
 MATERIAL: Phos-Bronze C5191 ---0.35mm Thickness  
 1.PLATING(1) NICKEL  
 2.PLATING(2) 100%Sn

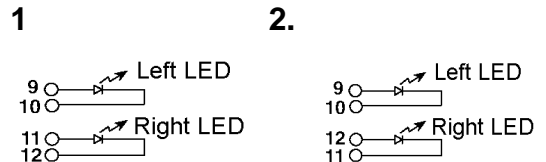
**Shielding Material:**  
 BRASS C2680 PLATING NICKEL  
**Operating Life:**750 Cycles MIN.  
**Environmental**

- 1.Storage Temp:-40°C TO +85°C.
- 2.Operating Temp: 0°C TO +70°C.
3. MATES WITH MODULAR PLUG CONFORMING TO FCC PART 68,SUBPARTF.

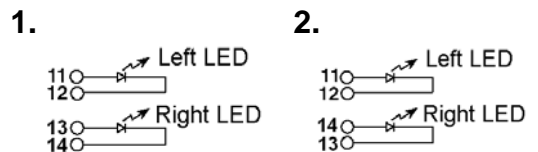


### LED Configuration

#### 8PIN:



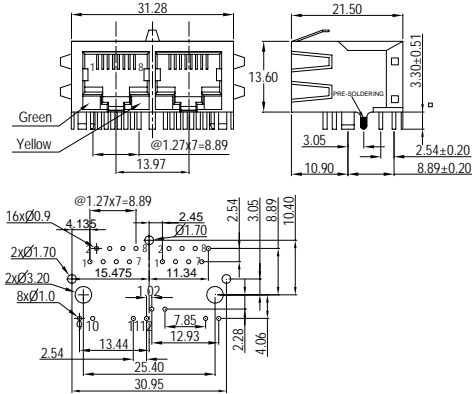
#### 10PIN:



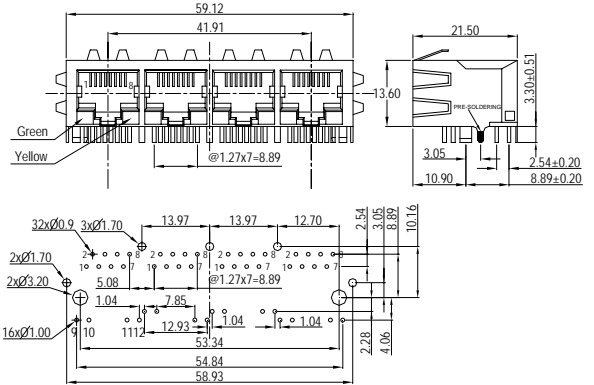


Mechanicals and Dimensions

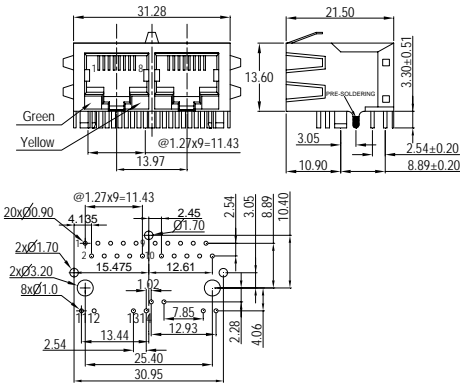
62F(10/100 Base-T):



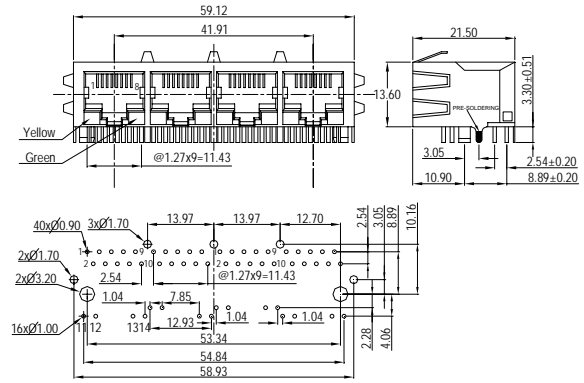
64F(8W):



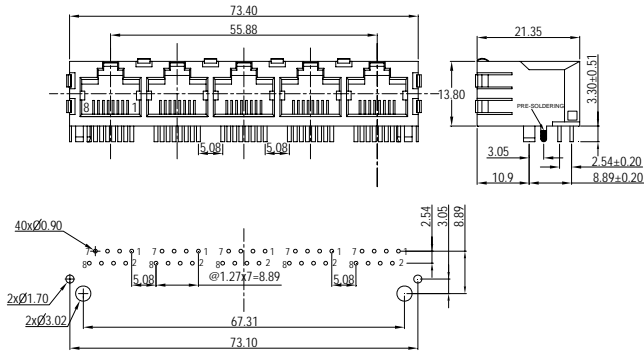
62F(1000 Base-T):



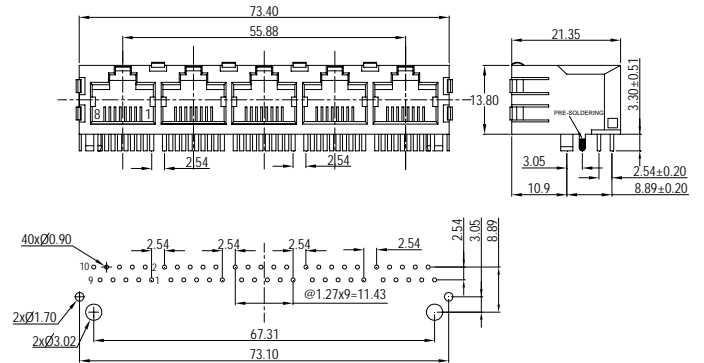
64F:



65F(10/100 Base-T):

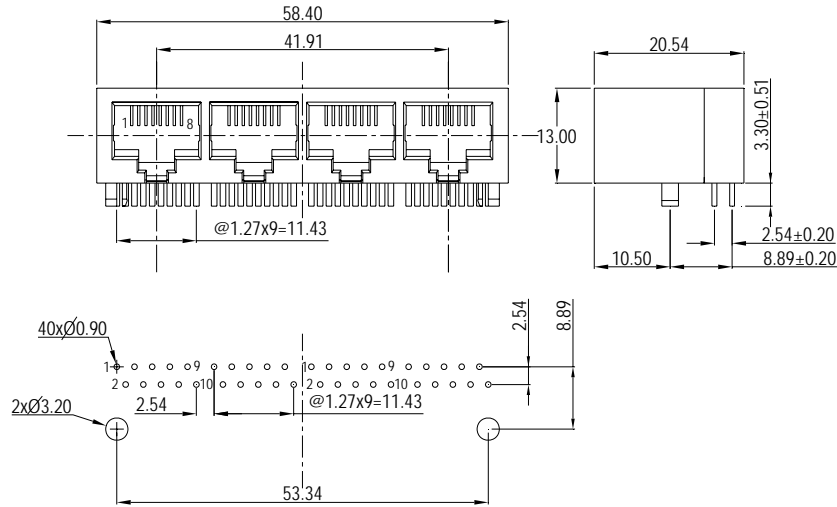


65F(1000 Base-T):



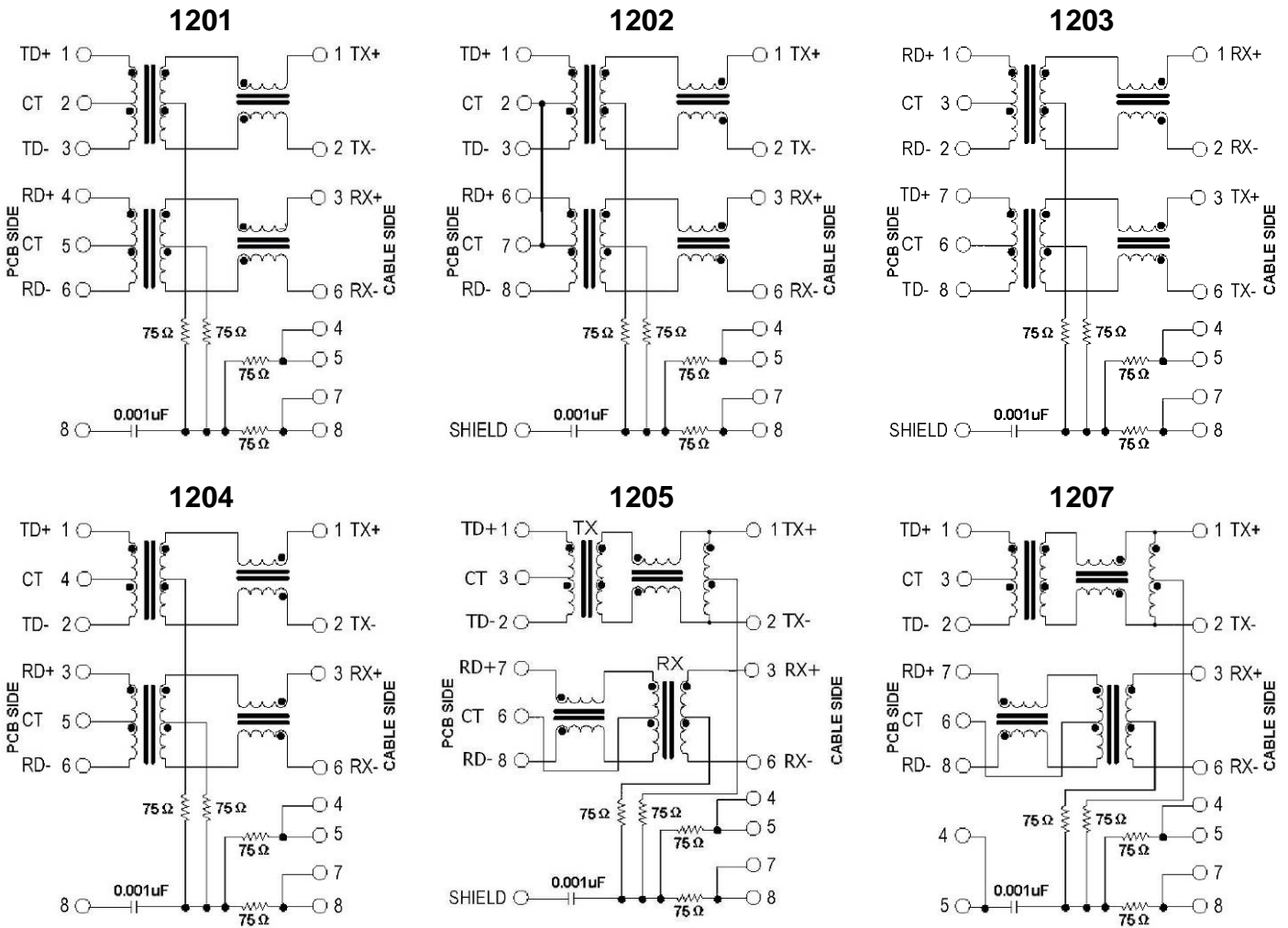


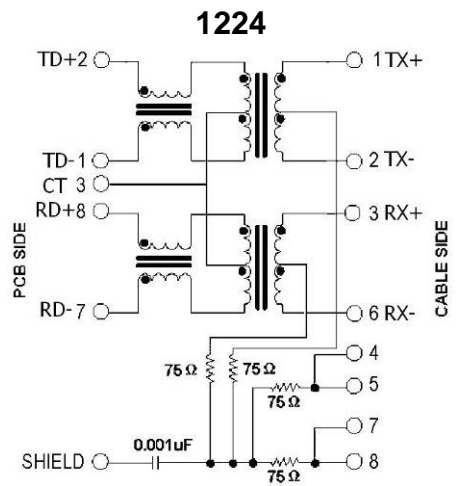
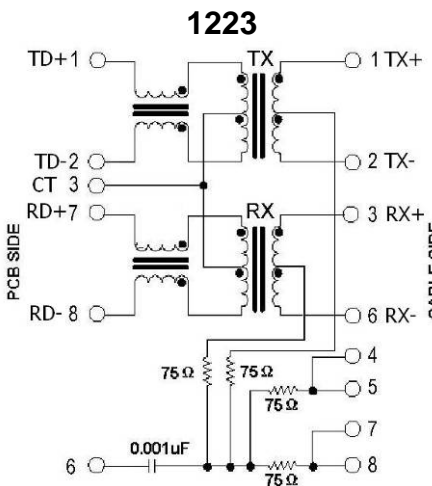
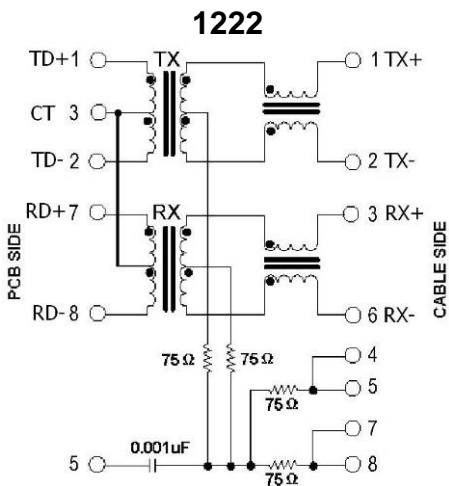
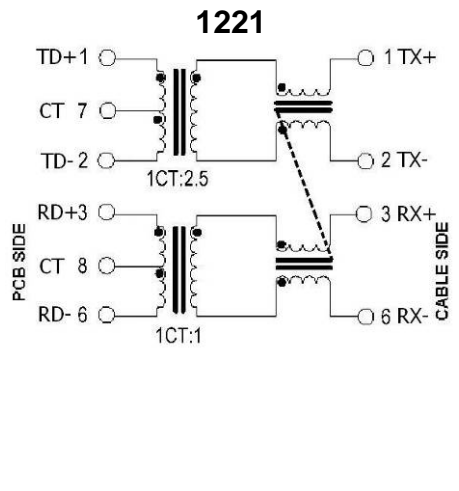
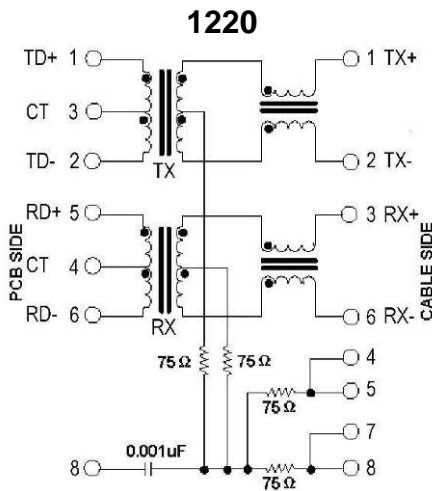
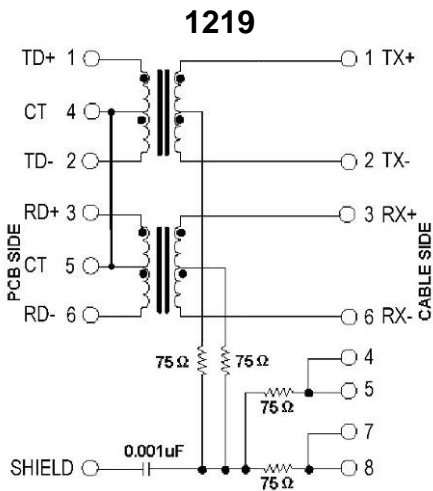
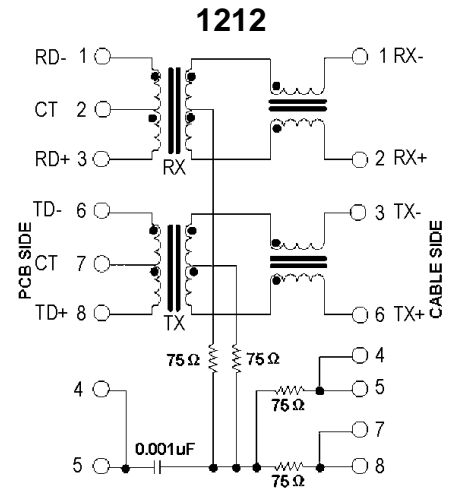
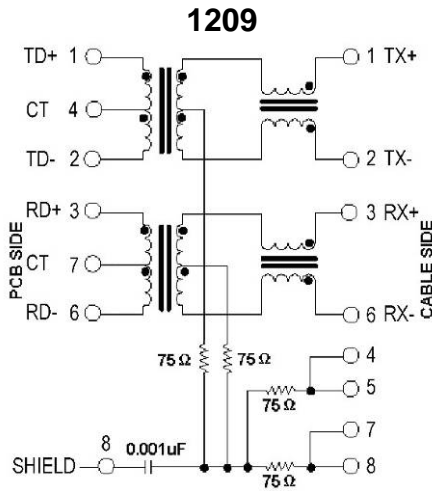
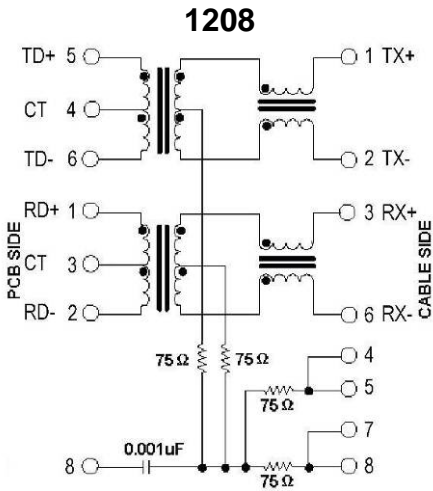
64F(10/100Base-T)Small Module

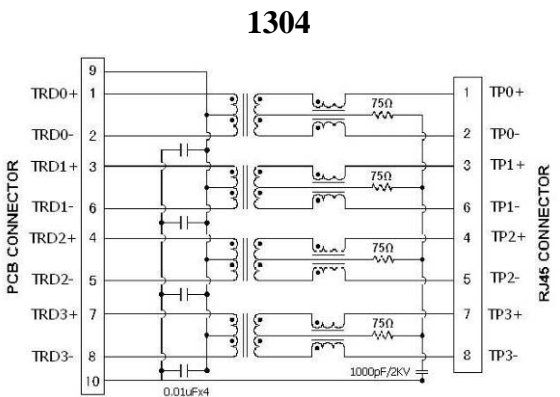
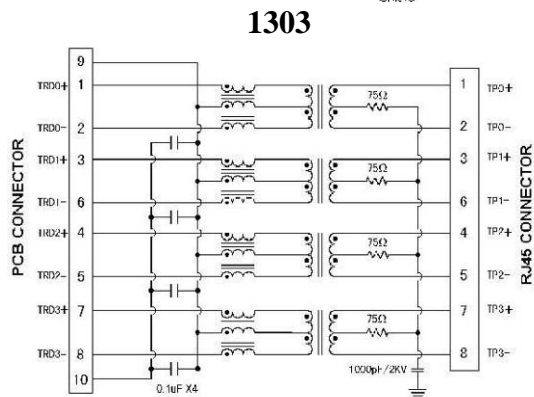
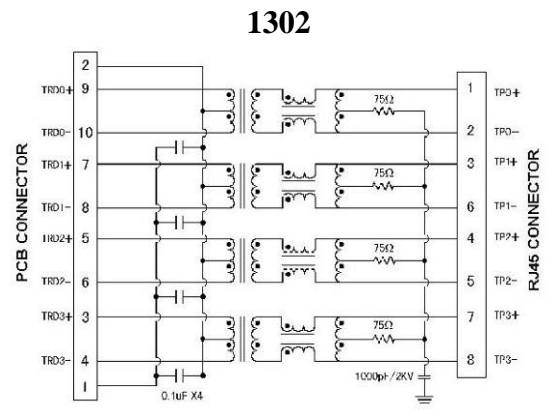
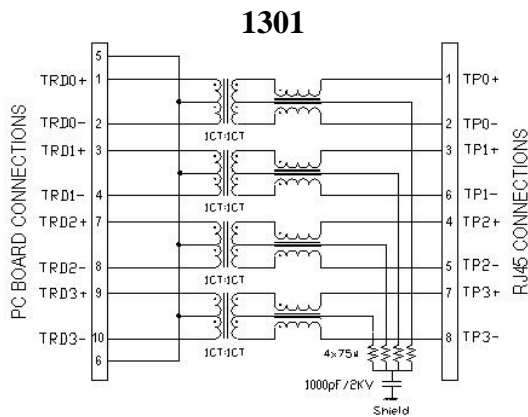
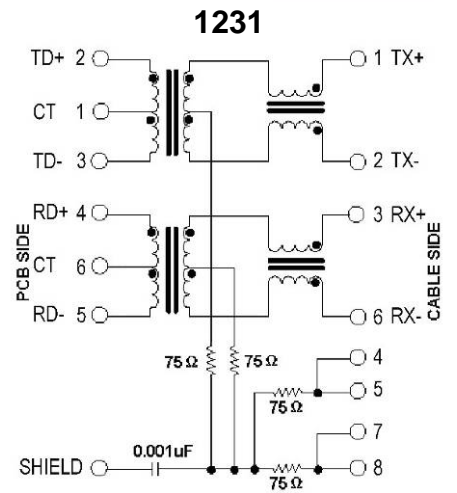
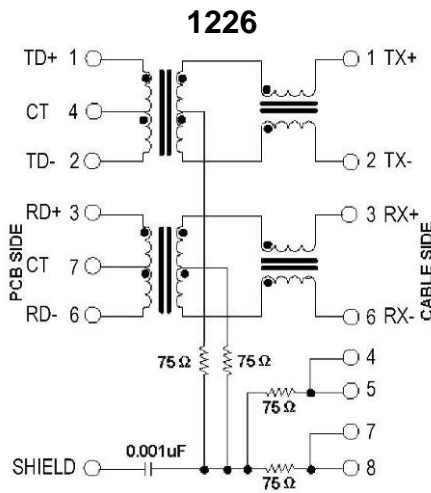
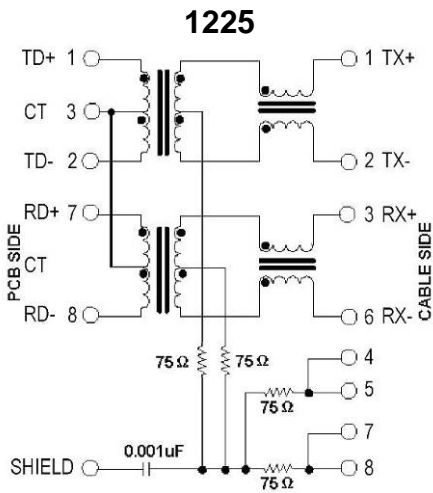


UNIT:mm Unless otherwise specified,all tolerances are  $\pm 0.25$

### SCHEMATICS:







**1305**

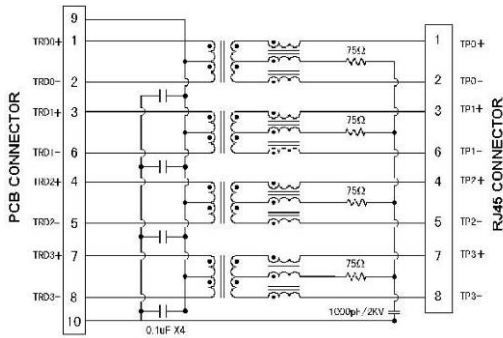
**1306**



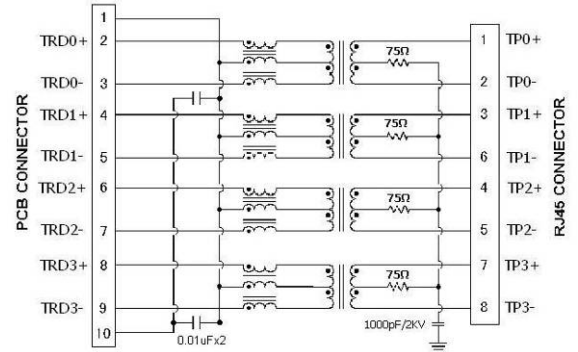
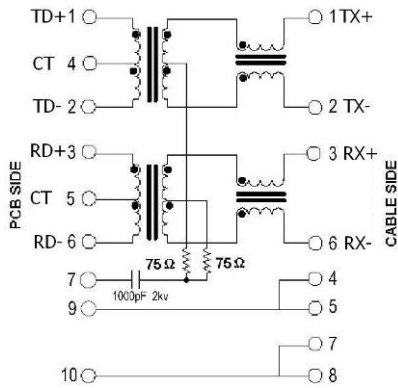
# Yuan Dean Scientific CO.,LTD

10/100/1000 BASE-T RJ45 1xN JACK WITH MAGNETIC MODULE

# 6XF Series



1307



1308

