

FEATURES

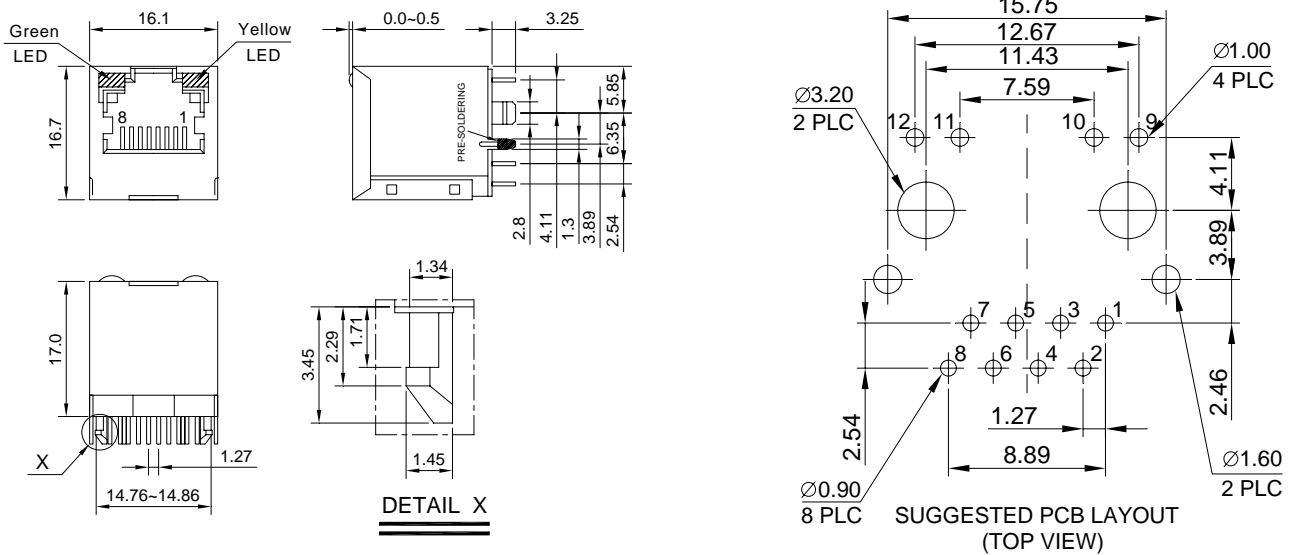
- Magnetic designs to support every PHY
- Meet or exceed IEEE 802.3 and ANSI X3.263 standards including 350uH min OCL with 8mA bias
- Minimum 1500Vrms isolation per IEEE 802.3 requirement



ELECTRICAL SPECIFICATIONS @25°C-Operating temperature 0°C TO 70°C

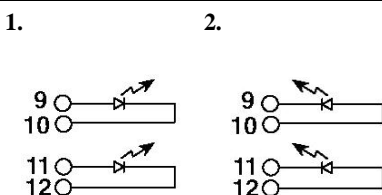
Part Number	Turns Ratio ±5%		DCR (MAX Ω)		LEDS (L/R)	Insertion Loss (dB max)	Return Loss (dB min @100Ω±15Ω)					Crosstalk (dB TYP)			Common Mode Rejection (dB min)			Hipot (V _{rms})
	TX	RX	PRI	SEC			0.3-100 MHz	1-30 MHz	40 MHz	50 MHz	60-80 MHz	30 MHz	60 MHz	100 MHz	30 MHz	60 MHz	100 MHz	
51F-1201GYD2	1CT:1	1CT:1	1.0	1.2	G/Y	-1.0	-20	-15	-15	-10	-30	-30	-30	-30	-30	-30	1000	
51F-1202ND2	1CT:1CT	1CT:1CT	-	-	N/A	-1.0	-18	-16	-14	-12	-45	-40	-35	-35	-30	-25	1500	
51F-1203ND2	1CT:1CT	1CT:1CT	-	-	N/A	-1.0	-18	-16	-14	-12	-45	-40	-35	-35	-30	-25	1500	
51F-1204ND2	1CT:1	1CT:1CT	-	-	N/A	-1.0	-18	-16	-14	-12	-45	-40	-35	-35	-30	-25	1500	
51F-1205ND2	1CT:1CT	1CT:1CT	-	-	N/A	-1.0	-18	-16	-12	-10	-40	-35	-30	-30	-20	-20	1500	

MECHANICAL



UNIT:mm Unless otherwise specified, all tolerances are ±0.25

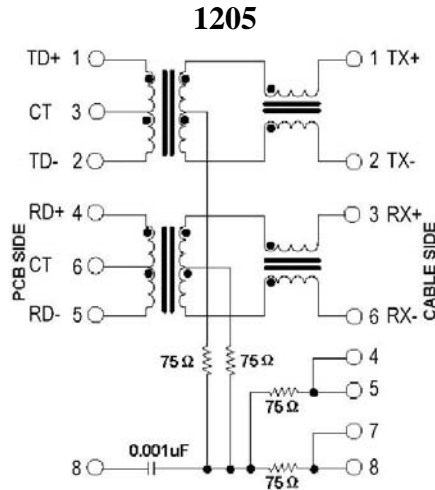
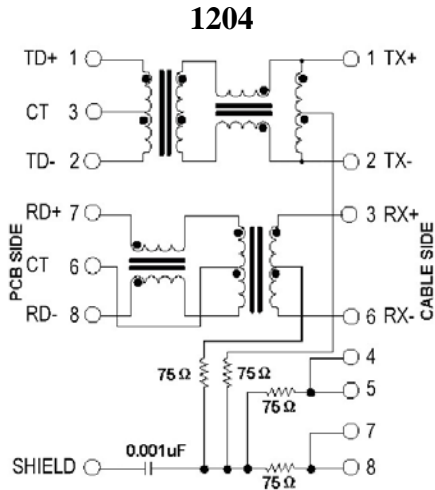
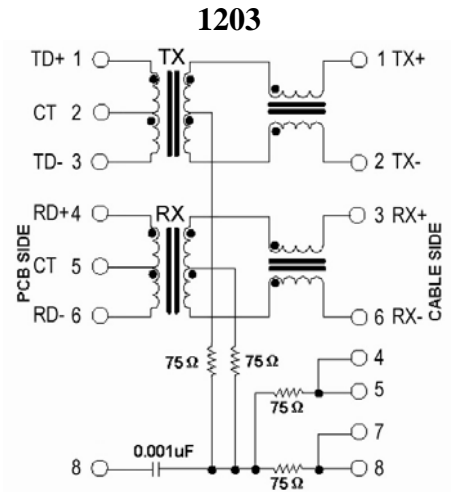
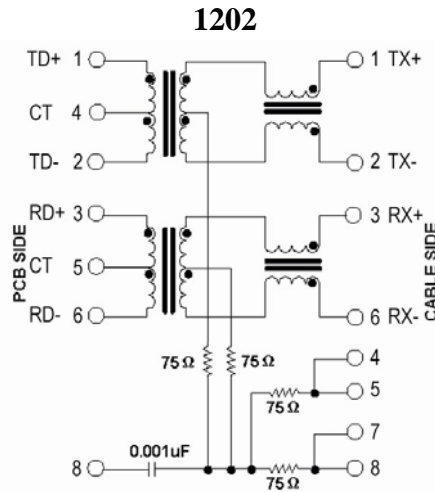
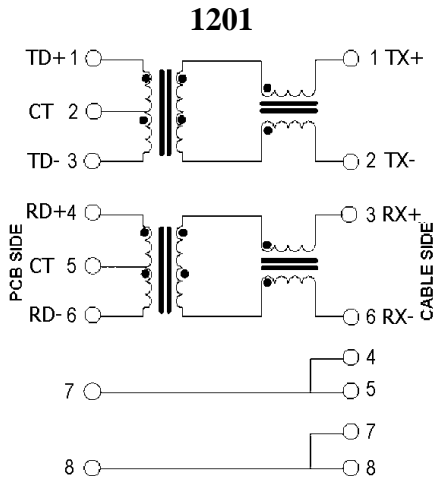
LED Configuration



Standard LED	Wavelength	Forward* V(MAX)	(TYP)
Yellow	585 nm	2.5 V	2.1 V
Green	565 nm	2.5 V	2.2 V

* With a forward current of 20 mA

SCHEMATICS



Mechanicals:

Housing Material:

MATERIAL: NYLON UL94V-0 STANDARD COLOR: BLACK

Insert Material:

MATERIAL: Phos-Bronze C5210 EH---0.35mm Thickness

Insert -PBT GF UL94V-0

1.PLATING(1) NICKEL

2.PLATING(2) 100%Sn

3.PLATING(3) GOLD (3u " ~50u ")

Contact pin Material:

MATERIAL: Phos-Bronze C5191---0.35mm Thickness

1.PLATING(1) NICKEL

2.PLATING(2) 100%Sn

Shielding Material:

BRASS C2680 PLATING NICKEL

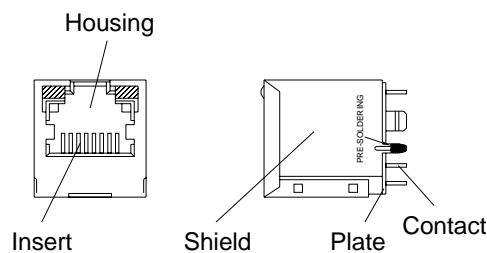
Operating Life: 750 Cycles MIN.

Environmental

1.Storage Temp:-40°C TO +85°C.

2.Operating Temp: 0°C TO +70°C.

3. MATES WITH MODULAR PLUG CONFORMING TO FCC PART 68,SUBPARTF.



Part Number:

51F- 1201 GYD 2 NL

A B C D E

A:Series

B:Schematics

C:Led

D:Gold Plating:1=3u",2=6u",3=15u",4=30u"5=50u"

E:RoHS Version