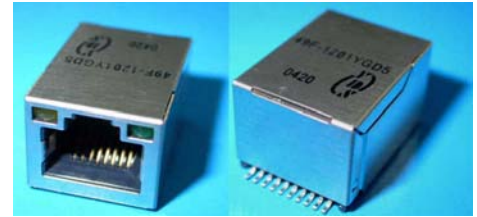


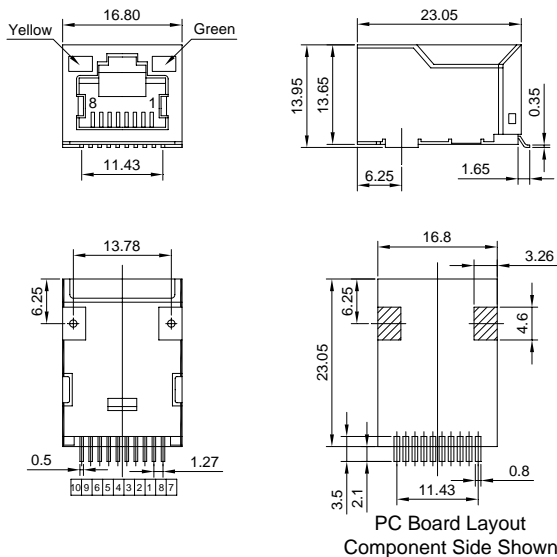
FEATURES

- Available in Tape & Reel format
- SMT product available with or without LEDs
- Internal magnetics: 100% electrically tested for HI-POT & continuity
- Internal magnetics options available
- Meets or exceeds IEEE 802.3i/u standard for 10/100Base-T
- Minimum 1500 Vrms isolation per IEEE 802.3 requirement
- Designed to withstand IR reflow temperatures up to 260°C
- Recognized by UL 60950-1



ELECTRICAL SPECIFICATIONS @25°C-Operating temperature 0°C TO 70°Ck									
Part Number	Turns Ratio		LEDs	Insertion Loss TX/RX (dB MAX)		Return Loss @100Ω±15Ω (dB TYP)		Crosstalk (dB MIN)	Hipot (Vrms)
	TX	RX	L/R	1-80 MHz	100 MHz	1-60 MHz	60-100 MHz	1-80 MHz	@60Hz
49F-1201YGD2	1CT:1CT	1CT:1CT	Y/G	-1.0	-1.2	-14	-10	-35	1500

Mechanicals



Mechanicals:

Housing Material:
MATERIAL:Fr52 STANDARD COLOR:BLACK

Insert Material:
MATERIAL:Phos-Bronze C5210 EH--0.35mm Thickness
Insert -PBT GF UL94V-0
1.PLATING(1) NICKEL
2.PLATING(2) 100%Sn
3.PLATING(3) GOLD (3u " ~50u ")

Plate Material:
PBT GF UL 94V-0

Contact pin Material:
MATERIAL: Phos-Bronze C5191--0.35mm Thickness
1.PLATING(1) NICKEL
2.PLATING(2) 100%Sn

Shielding Material:
BRASS C2680 PLATING NICKEL
Operating Life:750 Cycles MIN.

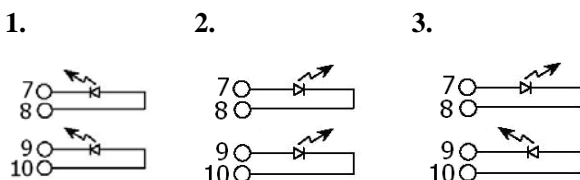
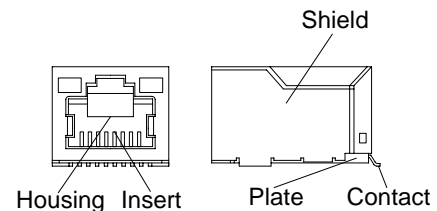
Environmental
1.Storage Temp:-40°C TO +85°C.
2.Operating Temp: 0°C TO +70°C.
3. MATES WITH MODULAR PLUG CONFORMING TO FCC PART 68,SUBPARTF.

UNIT:mm Unless otherwise specofied, all tolerances are ±0.25
Pin number reference only & LED pin number reference only

Part Number:

49F- 1201 GYD 2 NL
A B C D E

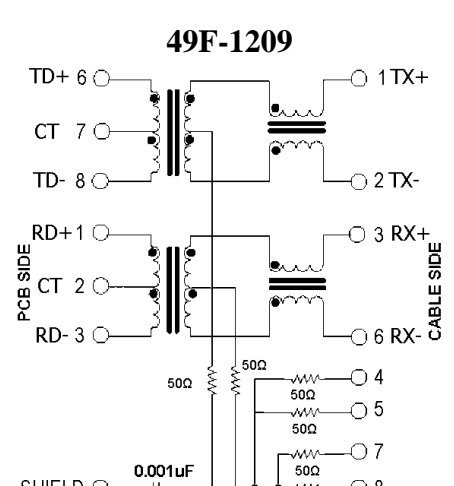
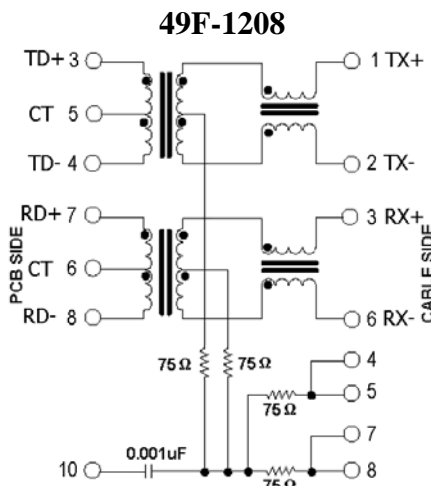
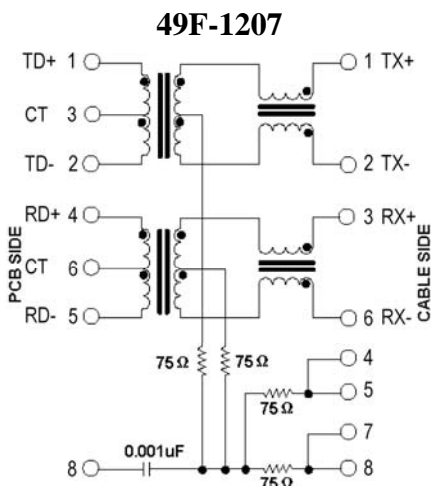
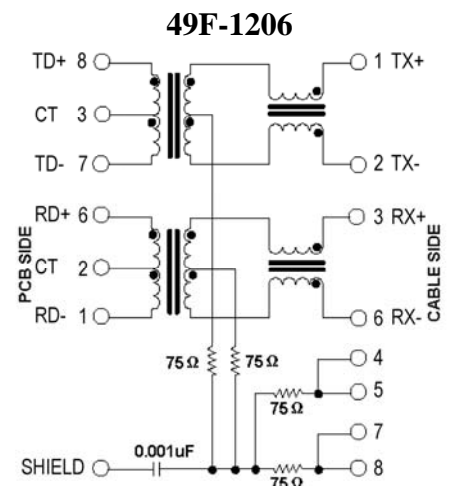
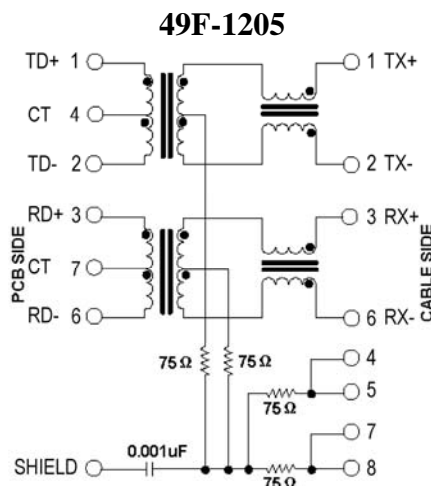
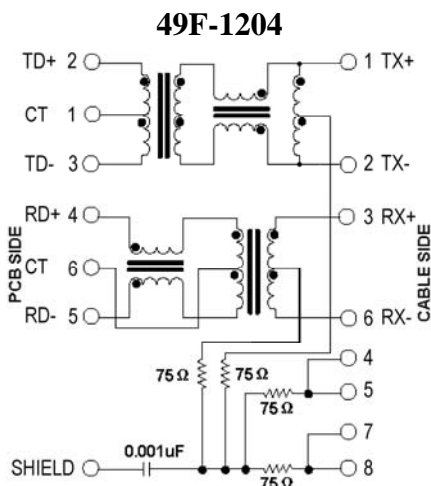
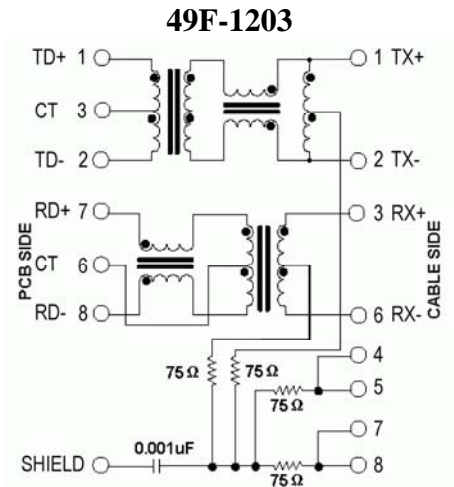
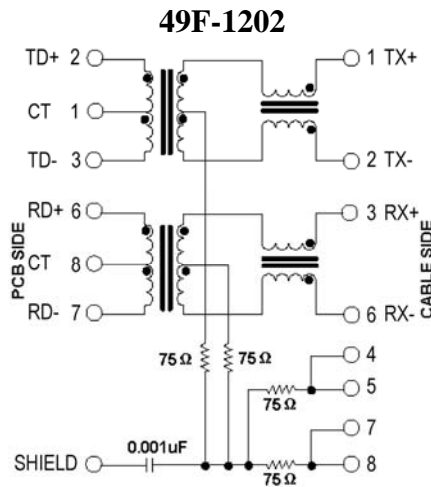
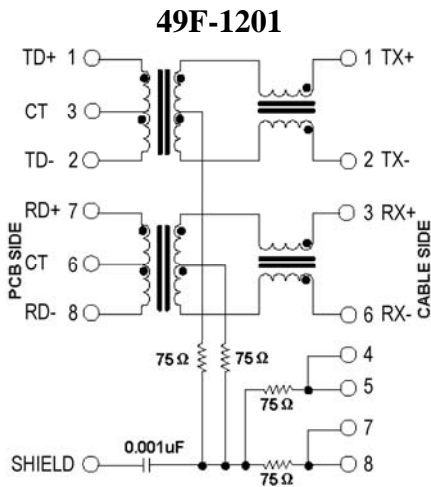
A:Series
B:Schematics
C:Led
D:Gold Plating:1=3u",2=6u",3=15u",4=30u",5=50u"
E:RoHS Version



Standard LED	Wavelength	Forward* V(MAX)	(TYP)
Yellow	585 nm	2.5 V	2.1 V
Green	565 nm	2.5 V	2.2 V

* With a forward current of 20 mA

SCHEMATICS:



Non-LED Circuit

Non-LED Circuit