



FEATURES

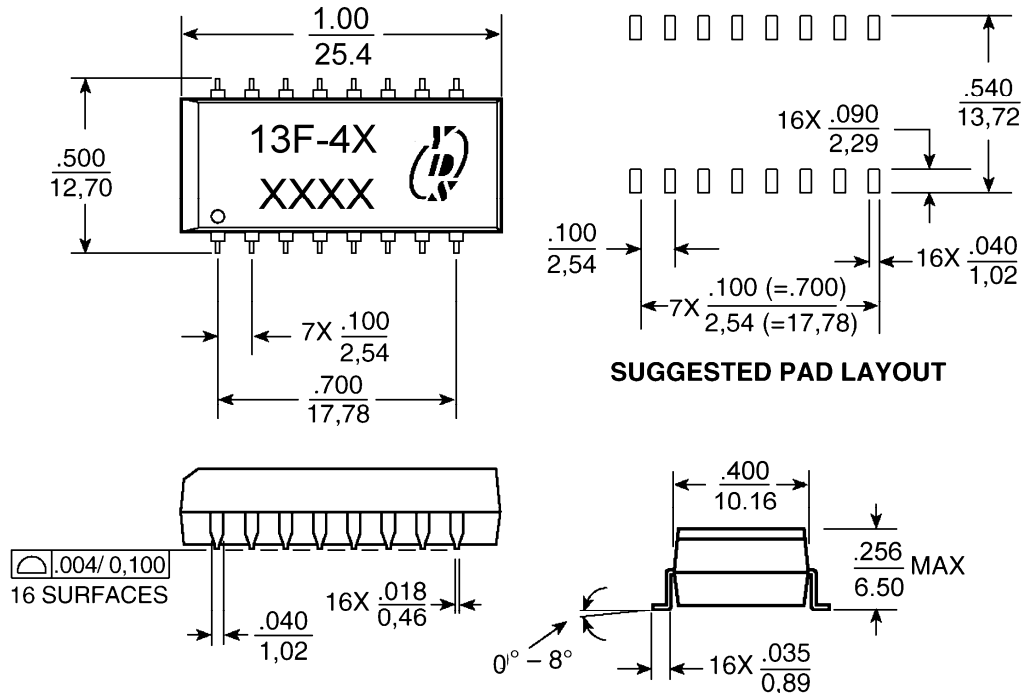
- Meets all IEEE 802.3 and ANSI X3.236 standards including 350 μ H OCL with 8 mA bias.
- IC grade transfer-molded package withstands 235°C IR reflow.
- Patented Interlock Base construction for high reliability.
- Recognized by UL 1950.



ELECTRICAL SPECIFICATIONS @25°C-Operating temperature 0°C TO 70°C

Part Number	Turns Ratio ($\pm 5\%$)		Insertion Loss (dB MAX)	Return Loss (dB MIN)			Crosstalk (dB MIN)			Hipot (V _{rms} MIN)
	Receive	Transmit		100KHz-100MHz	30 MHz	60 MHz	100 MHz	30 MHz	60 MHz	
13F-40	1:1	$\sqrt{2}$:1	-1.0	-16	-12	-10	-45	-38	-34	1500
13F-41	1:1	$\sqrt{2}$:1	-1.0	-16	-12	-10	-45	-38	-34	1500
13F-42	1:1	$\sqrt{2}$:1	-1.0	-16	-12	-10	-45	-38	-34	1500
13F-43	1:1	$\sqrt{2}$:1	-1.0	-16	-12	-10	-45	-38	-34	1500
13F-44	1:1	1.25:1	-1.0	-16	-12	-10	-45	-38	-34	1500
13F-45	1:1	1: $\sqrt{2}$	-2.0	-18	-12	-11	-45	-38	-34	1500
13F-46	1:1	$\sqrt{2}$:1	-1.0	-16	-12	-10	-45	-38	-34	1500
13F-47	1:1	1: $\sqrt{2}$	-2.0	-16	-11	-10	-45	-38	-34	1500
13F-48	1:1	1:1	-1.0	-16	-10	-10	-40	-38	-33	1500
13F-49	1CT:1CT	2CT:1	-1.0	-16	-12	-12	-35	-35	-32	1500

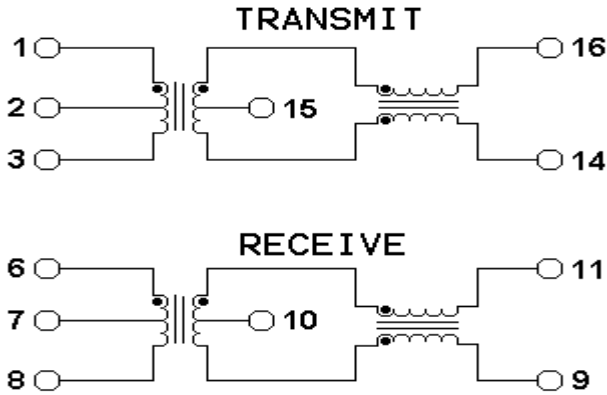
MARKINGS AND DIMENSION



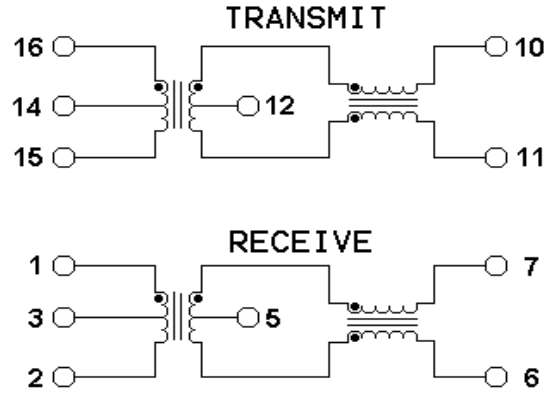
SCHEMATICS



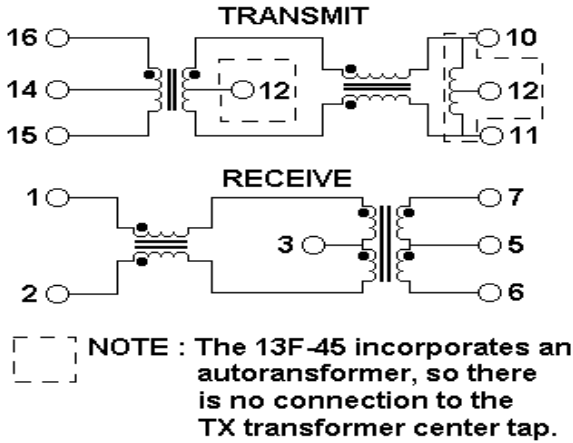
13F-40,13F-42,13F-44,13F-46



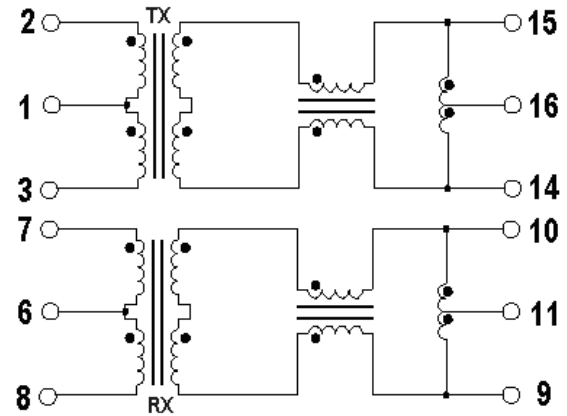
13F-41



13F-43,13F-45,13F-47



13F-48



13F-49

